

SHORTWAVE BULLETIN

Issue no. 1937, Nov 17, 2019.

Deadline e-mail next issue: 0800 UTC, Dec 1, 2019.

After a very boring Saturday with rain almost all day and night we woke up to a very nice morning, perfectly suitable for a walk with our dog.

But as usual at this time of the year the wather changes fast and more rain can be expected.

The log is huge this time. Giampiero Bernardini has made a thorough bandscan down in Italy both in Milan and in Bocca di Magra.

Some DX-ers are preparing for the winter DX by erecting antennas. Christoph Ratzter is one of those and he uses some very good components from RemoteQTH.com.

This company has some very useful components for single wire beverages-, bi-directional beverages and K9AY loops.

You have to take a look if you are planning for new antennas.

Keep on

=====

Redaktion:
Thomas Nilsson

E-mail:
thomas.nilsson@ektv.nu

SWB-info

SWB on HCDX:

SWB member information:

Dateline Bogotá 1993-1998:

SWB latest issue/archive:

<http://www.hard-core-dx.com/swb>

<http://www.hard-core-dx.com/swb/member.htm>

<http://www.hard-core-dx.com/swb/Dateline.htm>

<http://www.hard-core-dx.com/swb/archive.htm>

QSL, comments, etc.

Manuel Méndez, Lugo, Spain: QSL from OZ-Viola, 5825, eQSL received in one hour. Reception report sent to: jansteendk@hotmail.com



Radio OZ-Viola
E-QSL 5825 kHz. on Short Wave Denmark 
Music in the air

Thanks for your report * * * * *

Your location: Friol, Lugo, Spain..

To: Manuel Méndez
Date: 04-11-2019
Time: 21:30 - 21:48 UTC
SINPO: 15311
Comment: RX: Tecsun 5-8800, cable antenna, 8 meters

Homepage: <http://ozviola.dk/>
jansteendk@hotmail.com

The good old AM Sound....
From a legal radio station...
Licence number TAC B101637

Giampiero Bernardini Ciao Thomas, I hope things are going on fine. Here some tips just taking a walk on Short Waves in Milan and in Bocca di Magra, in Italy. (See 11850 kHz: one station heard in Milan, another in Bocca di Magra at the same time).

Robert Wilkner. Enclosed "Rather poor conditions recently in South Florida"

 Alle - Suchbegriff oder Artikelnummer

Suchassistenten | Herstellerindex | Dir

Bauelemente Raspberry Pi Arduino ... Stromversorgung Messtechnik Werkstatt und Löttechnik Haustechnik Sicherheit Netzwerktechnik

Sie sind hier : Startseite ◀ Haus- und Sicherheitstechnik ◀ Freizeit/Garten ◀ Strom im Garten ◀ Verlängerungen, Verteiler

HEIT 21043 Sicherheitsbox für Kabelverbindungen



Artikel-Nr.: HEIT 21043

17,95 €

inkl. gesetzl. MwSt. zzgl. Versandkosten

 ab Lager, Lieferzeit: 2-3 Werktage

Stück [in den Warenkorb](#)

Zum Vergleich markieren

 Dieser Artikel ist rabattfähig

Gibts bei Reichelt (siehe Bild) und auch bei Amazon, dort einfach nach Dribox suchen. Ist optimal weil sie die Kabelzuführungen perfekt führt auch noch etwas abdichtet und massive Klammern zum Abschiessen hat, das perfekte Tool für DXer!

(Christoph Ratzter via A-DX)

| | | | |
|---------|-------|------|--|
| 2598u | Nov13 | 2330 | CJH-22 Riviere-au-Rernard 2330 to 2335 wx information. (Wilkner) |
| 2850 | Nov11 | 2110 | KCBS Pyongyang, N. Korea, talks in Korean, weak (Bernardini) |
| 3215 | Nov14 | 0305 | WWCR, Nashville, TN English religious talk - not // 4840 (AP-DNK) |
| 3310 | Nov15 | 0124 | R Mosoj Chaski, presumed, could not coax more than a carrier out of this one. (XM) |
| 3310 | Nov13 | 2340 | Radio Mosoj Chaski, Cochabamba, weak fading in and out with Quechua om and y1 occasionally. (Wilkner) |
| 3320 | Nov11 | 2103 | PBS Pyongyang Pansong, N Korea, talks Korean, poor weak (Bernardini) |
| 3325 | Nov15 | 1208 | UNID, suspect RRI Palangkaraya as NBC Bougainville may have signed off by the time this was heard, 1208, very weak threshold signal, most of the time only a carrier. You would think with so few stations left on the shortwaves these two could find separate frequencies so they do not interfere with each other. (XM) |
| 3475 | Nov5 | 1405 | Voice of the People (Kyonggi-do) Poor but clear in KR. (Sheedy) |
| 3910 | Nov12 | 2129 | Voice of the People, S. Korea, Korean talks, jammed, weak fair //3935 (Bernardini) |
| 3935 | Nov13 | 2218 | Voice Of The People (cland.), Goyang. Kor to KRE, tks. Jammed. // 3910, also jammed. 33431 (CG) |
| 3935 | Nov12 | 2133 | Voice of the People, S. Korea, Korean, weak, jammer strong //3910 (Bernardini) |
| 3955 | Nov11 | 2106 | KBS World Radio, via UK, FF bc, good (Bernardini) |
| 3975 | Nov9 | 1515 | Shortwaveradio, Winsen English ann, English pop songs (AP-DNK) |
| 3985 | Nov11 | 2109 | Radio Vaticana, Kall-Krekel, Germany, German px, fair (Bernardini) |
| 3990 | Nov13 | 2216 | R.Echo of Hope (cland.), Gyeonggi-do. Kor to KRE, tks. Jammed. 34432 (CG) |
| 3990 | Nov11 | 2113 | Echo of Hope VOH, S Korea, Korean talks, weak fair jammed //4890 (Bernardini) |
| 3990 | Nov11 | 1441 | EoH/SoH Poor & jammed //4890/6355/9100. (Sheedy) |
| 3995 | Nov9 | 1525 | HCJB, Weenermoor German advertisement for scheduled "Radio Marathon", English hymn: "You are my Wisdom" Noise QRM in LSB (AP-DNK) |
| 4010.24 | Nov9 | 1530 | Birinchi R, Krasnaya Rechka Kyrgyz talk (AP-DNK) |
| 4055 | Nov15 | 1210 | R Verdad, typical SP relig pgm, fair signal. (XM) |
| 4747.20 | Nov13 | 2320 | Radio Huanta 2000 Huanta Ayacuc, heavy CODAR with om under , occasional chat, weak signal. (Wilkner) |
| 4750 | Nov9 | 1535 | Bangladesh Betar, Shavar Foreign Service in Hindi, local songs (AP-DNK) |
| 4750 | Nov15 | 1437 | CNR1 (Hailar) All alone this morning //4800, 6125, etc. (Sheedy) |
| 4765 | Nov14 | 0315 | R Progreso, Bejucal Spanish talk (AP-DNK) |
| 4775 | Nov15 | 0127 | R Tarma, presumed, threshold level signal. (XM) |
| 4800 | Nov9 | 1540 | Voice of China, Golmud Chinese talk with short musical interludes (AP-DNK) |
| 4820 | Nov9 | 1545 | Xizang PBS, Baiding, Tibet Chinese conversation // 5935 (AP-DNK) |
| 4840 | Nov14 | 0305 | WWCR, Nashville, TN English talk about a Whistleblower (AP-DNK) |
| 4875 | Nov12 | 2147 | R.Roraima, Boa Vista RR. Tks, seemingly rlg. propag., songs. Unclear audio. 35332 (CG) |
| 4885 | Nov9 | 1550 | R Echo of Hope, via Taereung, South Korea Korean radioplay // 5995 (jammed) and 6250 (jammed) (AP-DNK) |
| 4885 | Nov15 | 0109 | R Clube do Para, Belem, PT pgm incl cmntry and mx, best in SSB, am,ong the few remaining SW stations this one tends to have one of the better signals. (XM) |
| 4885 | Nov13 | 2340 | Radio Clube do Pará, Belém, PA, lively music, om in PT, good signal. (Wilkner) |
| 4885.04 | Nov14 | 0320 | R Clube do Pará, Belém, PA Portuguese talk (AP-DNK) |
| 4890 | Nov11 | 2205 | R.Echo of Hope (cland.), Nowon-gu. Kor to KRE, tks, mx. Better on 12/11, 2145. (CG) |
| 4890 | Nov11 | 2115 | Echo of Hope VOH, S Korea, Korean talks, fair good //3990 (Bernardini) |
| 4905 | Nov9 | 1555 | Xizang PBS, Baiding, Tibet Tibetan Gong melody // 4920 (QRM Chennai) (AP-DNK) |
| 4925.2 | Nov13 | 2350 | (tent.) Radio Educação Rural, Tefé, AM 2350 to 2355 weak seemingly PT. Needs more work (Wilkner) |
| 4930 | Nov14 | 0325 | VOA, Moepeng Hill English interview about Cameroon (AP-DNK) |
| 4955 | Nov13 | 2340 | Unid while looking for Radio Cultural Amauta Huanta, weak in SP om, possibly. (Wilkner) |
| 5025 | Nov14 | 0330 | R Rebelde, Bauta Spanish talk, Cuban music (AP-DNK) |
| 5040 | Nov9 | 1600 | AIR, Jeypore Hindi (p) talk - very weak (AP-DNK) |
| 5040 | Nov14 | 0335 | R Habana Cuba, Bauta Spanish talk, interlude of Cuban music (AP-DNK) |
| 5085 | Nov14 | 0340 | WTWW, Lebanon, TN English religious talk (AP-DNK) |
| 5130 | Nov14 | 0345 | WBCQ, Monticello, Maine - <u>now on even frequency</u> ! English religious talk (AP-DNK) |
| 5860 | Nov12 | 1920 | Radio Farda, via Kuwait, songs, talks Farsi, news at 1930, good (Bernardini) |
| 5890 | Nov12 | 1935 | Firedrake, Chinese jammer with traditional Chinese mx, very good (Bernardini) |
| 5895 | Nov8 | 1430 | R Northern Star, Erdal English ID, English pop songs (AP-DNK) |
| 5915 | Nov14 | 1450 | Myanma R, Naypyidaw Vernacular talk with musical interludes, local song CWQRM in USB (AP-DNK) |
| 5920 | Nov12 | 2015 | Radio Romania Int. Spanish px, very good (Bernardini) |

| | | | |
|---------|-------|--------|---|
| 5930 | Nov12 | 2030 | Radio Romania Int. Serbian px, very good (Bernardini) |
| 5950 | Nov12 | 2035 | KBS World R., via France, FF program, fair (Bernardini) |
| 5980 | Nov4 | 2331 | JBA carrier under wall-of-noise jamming against no Martí which has moved to 6125. That could be Radio Chaski, as nothing is in HFCC B-19 on 5980 between 2200 and 0200. No carrier detected at 0006, so maybe closed in the meantime. I wish Claudio Galaz or someone in South America could confirm the Chaski cutoff time. You may recall a few years ago when it was later around 0100 with no CCI, I would track it slipping 5 seconds or so later from one night to the next, quite fun! Until they would reset their timer earlier, starting a slipcycle all over again. Now we can only hope that the incompetent Cuban jammers will turn off 5980 before RM really comes on at 0600. Even Cubans in favor of jamming should be livid about the electrical expense wasted on jamming against nothing; which could be spent on e.g. improving the diet of the poor population (Glenn Hauser, OK) |
| 5985 | Nov15 | 1314 | Myanmar Radio, with the Friday edition of "Learning English with BBC, Burmese" lesson; "I use my phone a lot," etc. (Ron Howard, Asilomar State Beach, CA) |
| 5995 | Nov9 | -0002* | Radio Mali, great id, song, end bc, FF, good (Bernardini) |
| 6010 | Nov11 | 2030 | Radio Vaticana, Santa Maria Galeria, FF reports, weak fair (Bernardini) |
| 6015 | Nov11 | 2033 | KBS Hanminjok, South Korea, Korean, talks, music, weak (Bernardini) |
| 6015 | Oct31 | *0328- | R. Tamazuj (Talata-Volonondry). Weak but readable with abrupt opening in Sudanese AR (a couple of IDs & beginning program chat)..thanks to Glenn's tip on the ODXA site for this one. (Sheedy) |
| 6030 | Nov9 | 0915 | Eifeler Radiotage, Junglinster, Luxembourg , songs, talks in G, fair good, fading (Bernardini) |
| 6030.10 | Nov10 | 1050 | <u>Eifeler Radiotage via reactivated Junglinster, Luxembourg</u> German conversation about the former GDR "Hit Parade", news <u>Special broadcast only on Nov 09 + 10</u> (AP-DNK) |
| 6040 | Nov11 | 2036 | VOA, Sao Tome, reports in Hausa, good (Bernardini) |
| 6055 | Nov11 | 2039 | Brother Stair, Sophia, Bulgaria, good (Bernardini) |
| 6060 | Nov15 | 1200 | PBS-2 Sichuan. Clear multi-language IDs - "Sichuān mínzú guǎngbò, Sichuan Ethnic Radio "; almost fair, playing indigenous songs; heard daily with very respectable signal. (Ron Howard, Asilomar State Beach, CA) |
| 6060 | Nov12 | 2040 | Voice of Iran, Arabic, fair low modulation (Bernardini) |
| 6070 | Nov13 | 2320 | CFRX Toronto, difficult signal, om and y1 with news items and ID. (Wilkner) |
| 6090 | Nov9 | 1520 | China Business R, Golmud Chinese interview, sideband QRM // 3985 (QRM R Echo of Hope 3985) and 7425 (Noise QRM in LSB) (AP-DNK) |
| 6090 | Nov11 | 2042 | Amhara State Radio, Ethiopia, HoA songs fair S QRM KBS via UAE (Bernardini) |
| 6110 | Nov11 | 2045 | Radio Fana, Ethiopia, HoA songs, weak (Bernardini) |
| 6115 | Nov10 | -1650* | R.NZi, Rangitaiki. E, rka, nx, wx, ..., interviews, etc., fqs. ann., IS. 34432 (CG) |
| 6125 | Nov2 | 0420 | R. Marti (Greenville) No DCJC noise //7355 (also in the clear). (Sheedy) |
| 6170 | Nov11 | 2050 | Radio Algerienne, via France, Arabic, talks songs, fair off 2159 (Bernardini) |
| 6185 | Nov12 | 2050 | VOA Mopeng Hill Botswana, EE program, talks songs, good (Bernardini) |
| 6195 | Nov11 | 2100 | VOA Sao Tome, start bc in EE, good (Bernardini) |
| 6205 | Nov11 | 2054 | Laser Hot Hits, pirate, Ireland, songs, fair (Bernardini) |
| 6230 | Nov10 | 2246 | Sound Of Hope R Int'l (cland.), unk. site. Mand to CHN, tks, mx. 25331 (CG) |
| 6230 | Nov5 | -1400* | CNR1 (jammer)/SOH CNR1 loud until 1400*, leaving an 'imaginary-level audio' signal from SOH (with CCI from VMW, as well)..//6280 also with 'imaginary-level audio', but no Aussie sea weather condition QRM. (Sheedy) |
| 6250 | Nov15 | 1329 | Echo of Unification. Fair reception, in the clear due to fact that Echo of Hope - VOH was up on 6255, along with N. Korean jamming of VOH; that changed when VOH moved down to 6250, to mix with EOU; jamming did not move off 6255 to follow VOH, although later the jamming was completely gone (not on 6250 nor 6255). A strange day! (Ron Howard, Asilomar State Beach,CA) |
| 6255 | Nov11 | 2203 | R.Echo of Hope (cland.), Nowon-gu. Kor to KRE, tks, mx. 35332 (CG) |
| 6255 | Nov11 | 2007 | Echo of Hope VOH, South Korea, talks in Koran, fair, jammed (Bernardini) |
| 7255 | Nov5 | 1350 | CRI (Shijiazhuang) CRI's 1300-57 RU program very good the last few mornings. (Sheedy) |
| 7295 | Nov5 | -1357* | Furusato no Kaze (Yamata) Fair in JP with closing contact info (web addresses) & sked/frequencies 1346-57*. (Sheedy) |
| 7310 | Nov5 | 1342 | Shiokaze/Sea Breeze (Yamata) Fair with ACI from CNR2-7315/CNR1-7305..//6085 mostly covered by unID RTTY/digital signal on 6087a. (doesn't sound like usual NK jamming noise). (Sheedy) |
| 7325 | Oct31 | *1405- | Shiokaze/Sea Breeze (Yamata) NF for B19 & in the clear in JP, //7260 slightly weaker but also unjammed..thanks to Ron Howard's tips for both Shiokaze logs.(Sheedy) |
| 7395 | Nov11 | 1425 | CRI (Xianyang) Loud in JP //7410. (Sheedy) |
| 7470 | Nov13 | 1341 | VOA (Udon Thani)/Fire Dragon (jammer) VOA beating the Chinese "gong show" //11660 w/ VOA atop here, too. (Sheedy) |

7490.07 Nov16 0101 WBCQ fair S7-S8 as `AAAWWW` opens with WTO and AW interjections, political right away, ``Communist Democrats``. Much better signal on 5130- with other program of music, S9+10, and nothing on other possible frequencies 3265v, 6160v, 9330v.
John Carver notifies me right away at 0107, ``Glenn. Checked all the frequencies and 5130 is the only frequency working and it's not AAWWW. Sorry. John``

He doesn't do webcasts, but I bring it up at 0148 when AW typically gets down to business. Woes about the super-station: priced cost to replace a tetrode: \$250K. It has a socket problem, ring around it shorted to ground for second time. Continental replaced it in 2 or 3 days. Still has RF feedback parasitic problem with the driver circuitry. Needs to be fixed by design changes.

Tom and Tim and Chris from Continental have been working on it. (While off), it's fun to climb inside the antenna. Staff does good job, but these are vender problems. \$200K of spare parts have finally arrived.

Transmitter has a lot of bugs in it, as AW and TimTron knew from the beginning. Genius Tim could design a transmitter in his sleep, but must not modify this unit while it's under warranty. A flimsy little caplon(sp?) ring costs \$4K. There is no backup transmitter for the S-S: ``Classic`` transmitters cannot be used as they are only 50 kW with their own fixed antennas. AW is very sorry that this has delayed getting WLC on air, as programming is wonderful and got good response from listeners. 0156 briefly to e-mail, including from Larry working on improving the streaming by yearend so it will work on iphones. There has been a lot of mike rattling by Angela and apparently Allan as well; cut off 0200 in time for Hal Turner. Meanwhile one could have been listening to WOR on any of 3 WRMI frequencies from 0130; as WBCQ adhering to local time has shifted AAWWW to air at the same real time (Glenn Hauser, OK)

7780 Nov11 2131 WRMI Radio Miami Int., USA, religious, SS fair good (Bernardini)
9180.1 Nov13 2224 Sound Of Hope R Int'l (cland.), unk. site. Mand to CHN, tks. 15341 (CG)
9230 0Nov8 2302 Sound Of Hope R Int'l (cland.), unk. site. Mand to CHN, tks (nx?). 25331 (CG)
9265 Nov11 2140 WINB, Red Lion, USA, talks EE, fair (Bernardini)
9350 Nov11 2145 WWCR 2 Nashville, TN, USA, EE, religious talks, fair good (Bernardini)
9395 Nov11 2157 WRMI Radio Miami Int., USA, loop ids, EE, fair good (Bernardini)
9420 Nov12 1903 Voice of Greece, Avlis, Greek, songs, talks, good (Bernardini)
9445 Nov11 2159 AIR, Bangalore, India, EE bc, good S but not so good modulation (Bernardini)
9455 Nov12 2206 Firedrake, Chinese jammer against RFA, traditional mx, very good (Bernardini)
9475 Nov12 2208 WTWW Lebanon, TN, USA, religious, EE, fair (Bernardini)
9485 Nov12 1902 VOA, Moepeng Hill, Botswana, African lang. reports, good (Bernardini)
9515 Nov12 1905 VOA, Sao Tome, FF, international reports, good (Bernardini)
9525 Nov13 1855 **Denge Welat**, via France, ids, talks Kurdish, mx, fair over Turkish jammer (Bernardini)
9525 Nov11 2205 **Turkish propaganda** on Denge Welat radio frequency, very good (Bernardini)
9535 Nov11 2209 Radio Habana, Cuba, talks SS, fair (Bernardini)
9575 Nov12 2109 TWR, Trincomalee, Sri Lanka, Chinese, religious talks, fair (Bernardini)
9635 Nov13 *1800- Radio Ndarason Int., start bc in Kanuri, via UK, talks, good (Bernardini)
9650 Nov10 1706 R.Guinée, Sonfonia. F, f/ball match rpt. 35433 (CG)
9650 Nov13 1800 Radio Guinée, id in FF, then covered by AA news maybe Oman (Bernardini)
9664.9 Nov11 2214 R.Voz Missionária, Camboriú, Brazil, talks PP, fair (Bernardini)
9705 Nov13 *1800- Radio Vaticana, Santa Maria de Galeria, PP program start, fair (Bernardini)
9730 Nov13 *1800- Voice of Vietnam, Hanoi, start bc in Spanish, fair (Bernardini)
9765 Nov12 2124 MWV World Christian Bc., PP, talks, songs, good (Bernardini)
9765 Nov8 1415 CRI (Baoji-Xinjie) Poor in EG //5955. (Sheedy)
9770 Oct25 -1531* RBA (Kununurra) Barely above the noise 1524-31* with their Friday EG segment (inspirational chat & generic RBA IDs) at the tail-end of A19---for B19 they're on 9765 1545-1600 Mon. & Sat. (Sheedy)
9830 Nov12 1855 DW, Sao Tome, ending BC in Hausa, good (Bernardini)
9835 Nov8 -1422* VOIRI (Sirjan) Poor/fair in RU with M/W chat/interview & 'plinky' closing theme..ACI from VoV-9840. (Sheedy)
9835 *1320- Sarawak FM (via RTM-Kajang) Thanks to Ron Howard's tip, Sarawak FM heard with poor signals Nov. 12, 13, 15 1328-1400+ (apparently closes just after 1400 during 'berita malam', 'berita RTM')..severe ACI from VoV-9840, esp. when they open @ 1330 in EG..&, as Glenn Hauser notes (again via Ron H.), beware VOIRI *1320-1420*. (Sheedy)
9845 Nov12 1900 KNLS, via MWV New Life Station, Madagascar, Russian px, good (Bernardini)
9850 Nov13 *1800- Dandal Kura Radio Intl, via Issoudun France to Nigeria, tx problems (Bernardini)
9875 Nov13 *1800- Voice of Korea, Kujang, North Korea, start bc in FF, fair (Bernardini)
9885 Nov13 *1800- KNLS, via Mahajanga, Madagascar, start Russian px, good (Bernardini)
9920 0Nov8 2304 Sound Of Hope R Int'l (cland.), unk. site. Mand to CHN, tks (nx?). 25442 (CG)

| | | | |
|-----------|-------|--------|---|
| 9925 | Nov13 | 1800 | Radio Pilipinas, Tinang, reports in Pilipino, weak fair (Bernardini) |
| 9940 | Nov4 | 1403 | HSK9 with news in English, S4-S7 with flutter, not very good but better than nothing on the so-called N American service on 13750 at 0000-0330; 1400-1430 & 1230-1300 on 9940 are for SE Asia/Australia, 250 kW, 132 degrees. No CCI or ACI here, unlike ex-9390. We should try for the temporary? English at 1300-1315 which is at 55 degrees (Glenn Hauser, OK) |
| 9950 | Nov11 | 2220 | AIR Bangalore, India, EE service, weak (Bernardini) |
| 9950 | Nov8 | *1345- | TWR-India (Kishinev-Grigoriopol) *1345-1432*. Poor @ s/on, but improving over time..in "Maw" to 1400, then Sinhala with inspirational chats, contact info @ BOH (POB in Mumbai, sked/freq., www.TWR360.org) "sub-continental" style TWR IS & off. (Sheedy) |
| 9955 | Nov11 | 2229 | La Rosa de Tokyo, Okeechobee, USA, DX program in SS, weak fair fading (Bernardini) |
| 11540 | Nov13 | 1353 | Denge Welat & Turkish Jammer fighting (Bernardini) |
| 11550 | Nov12 | 2203 | Radio Free Asia, Saipan, Northern Mariana Islands, Korean talks, weak (Bernardini) |
| 11560 | Nov13 | 1349 | AIR, Bengaluru, Dari, songs, very good (Bernardini) |
| 11590 | Nov6 | 1603 | CNR1 (jammer) Loud v. (unhrd) RFA's CH service. (Sheedy) |
| 11600 | Nov13 | 1400 | Overcomer Ministry, Sofia, Bulgaria, usual religious EE talks, good (Bernardini) |
| 11600 | Nov7 | 1423 | Overcomer Ministry (Kostinbrod) Usual unhinged 'sermon/rant', surprised to hear this as it's normally buried in the noise. (Sheedy) |
| 11610 | Nov11 | 2232 | KSDA, Guam, Bc in Vietnamese, talks, weak (Bernardini) |
| 11610 | Nov12 | 2100 | MWV The Light of Life, Madagascar, Chinese px start, fair good (Bernardini) |
| 11630 | Nov13 | 1405 | Radio Kuwait, Sulaibiyah, AA, songs, good (Bernardini) |
| 11640 | Nov8 | 1441 | CRI (Beijing). Fair in Filipino with many EG words/phrases. (Sheedy) |
| 11660 | Nov13 | 1408 | VOA, Tinang, Philippines, Chinese talks, jammed by CNR1 good signal (Bernardini) |
| 11660 | Nov13 | 1710 | TWR, Swaziland, African language talks, good (Bernardini) |
| 11665 | Nov12 | 1328 | Wai-FM (via RTM-Kajang) Poor but readable 1328-1400+ Nov. 12/13 with indigenous-style music, ML pop, clear Wai FM IDs, "RTM" & "salam malam"--possible news after 1400, & apparently closes mid-program just after 1400. (Sheedy) |
| 11670 | Nov5 | 1440 | JBA carrier, so maybe KNLS English be really here instead of 11760 per its own website; in any event no good for winter night polar propagation west or east (Glenn Hauser, OK) |
| 11670 | Nov7 | 1408 | KNLS (Anchor Point) Good with EG religious program & also fair in CH Nov. 8 @ 1355. (Sheedy) |
| 11695 | Nov13 | 1413 | VOA, Tinang, Cambodian, talks, reports, good (Bernardini) |
| 11720 | Nov13 | 1720 | AWR, Talata-Volondry, Madagascar, talks, songs, Swahili, fair (Bernardini) |
| 11740 | Nov13 | 1400 | CNR2 Business Radio, Lingshi, CH, id, talks, commercials, fair (Bernardini) |
| 11740 | Nov9 | *1429- | NHKWRJ (Kranji) *1429-1500*. Poor at sign-on to almost fair by s/off with BU program, featuring a JP singer doing covers of Elvis, Shocking Blue, Otis Redding..ID/sked/web address then nice instrumental closing theme @ 1500..slight ACI from Al Azm Radio-11745. (Sheedy) |
| 11750 | Nov13 | -1730* | SLBC (City FM), Sri Lanka, Sinhala, songs, good (Bernardini) |
| 11760 | Nov13 | 1359 | VOA, Tinang, Philippines, start bc in Tibetan, good at 1401 start jammer (Bernardini) |
| 11770 | Nov13 | 1730 | Voice of Nigeria, English, talks, very weak signal (Bernardini) |
| 11810 | Nov11 | 2236 | KBS World Radio, Kimjae, S Korea, EE reports, fair (Bernardini) |
| 11830 | Nov7 | 1410 | KNLS (Anchor Point) Fair in CH with (p) EG language lessons. (Sheedy) |
| 11835 | Nov13 | 1735 | Sri Lanka BC (Thunder FM), Tamil, songs fair (Bernardini) |
| 11850 | Nov11 | 2240 | Radio Free Asia, Via Kuwait, Khmer talks, weak this in Bocca di Magra! (Bernardini) |
| 11850 | Nov11 | 2240 | Radio Habana, Cuba, Spanish talks, weak, this in Milan! (Bernardini) |
| 11860 | Nov13 | 1400 | Radio Rep. of Yemen, via Saudi Arabia, id, news, AA, fair (Bernardini) |
| 11870 | Nov11 | 2246 | AWR, via KSDA, Agat, Chinese talks, weak (Bernardini) |
| 11874.977 | Nov4 | 1352 | South Asian talk, off-frequency; what's it? HFCC shows Reach Beyond on 11875 at 1200-1400, 100 kW, 310 degrees in English. So what is it really? Convolutd B-19 sked via Alan Roe shows this quarter hour only on Mondays is in Urdu, 1359 closing with a .org address and off after 1400 (Glenn Hauser, OK) |
| 11875 | Nov13 | 1357 | Reach Beyond Australia, Kununurra, end bc in Punjabi, id EE, fair (Bernardini) |
| 11910 | Nov11 | 2250 | Radio Japan, Yamata, in Japanese, talks, weak fair (Bernardini) |
| 11925 | Nov13 | 1400 | Radio Japan, via UAE, English news, fair (Bernardini) |
| 11930 | Nov12 | 1913 | Radio Marti, Greenville, USA, SS talks, weak (Bernardini) |
| 11985 | Nov12 | 1916 | AWR, Talata-Volonondry, Madagascar, AA program, good (Bernardini) |
| 15110 | Nov13 | *0944- | Radio Kuwait, start DRM px in Arabic, good (Bernardini) |
| 15145 | Nov13 | 1335 | Radio Sultanate Oman, Thumrayt, AA, talks, reports, fair (Bernardini) |
| 15160 | 13/12 | 0946 | KBS World Radio, Kimjae, Korea, talks, Korean, weak fair (Bernardini) |
| 15175 | 13/12 | 0949 | Denge Welat , via Maiac Moldova, talks in Kurdish with real strong QRM by Turkish jammer tape with non stop songs (Bernardini) |
| 15230 | 13/12 | 1340 | Radio Habana, Cuba, SS, talks, weak fading (Bernardini) |
| 15270 | 13/12 | 1001 | Radio Taiwan Int. Paochung, Chinese, talks, fair (Bernardini) |

| | | | |
|-------|-------|------|---|
| 15500 | 13/12 | 1345 | AWR, Trincomalee, Sri Lanka, Chinese slow talks, fair (Bernardini) |
| 15640 | 13/12 | 1005 | Radio Azadi (Free Afghanistan), via Kuwait, Pashto, reports, interview, fair (Bernardini) |
| 15720 | 13/12 | 1013 | Unid DRM short broadcasts like test no id (Bernardini) |
| 15745 | 13/12 | 1215 | RFA, Dushanbe-Orzu, Tajikistan, Tibetan px, id 2030 in EE, fair (start 1100) (Bernardini) |
| 15760 | 13/12 | 1216 | Radio Mashaal, Udon Thani, Thailand, Urdu, reports, good (Bernardini) |
| 15770 | 13/12 | 1219 | AIR, Panaji, India, Indian song, EE px, fair (Bernardini) |
| 15825 | 13/12 | 1225 | WWCR, Nashville, USA, religious px, EE, weak fair (Bernardini) |

Pirate Stations

| | | | |
|--------|-------|------|---|
| 3915 | Nov9 | 2147 | R. Borderhunter - pir. Pops, tks. QRM de BBC via SNG at 2200. ID via DX press. 25341 (CG) |
| 5140 | Nov11 | 2158 | Charleston R Int'l - pir. E, oldies. 35433 (CG) |
| 5799.9 | Nov10 | 1700 | Free R Sce. - pir. E, pops, p.o.box ann.. // 7700.091. 35332 (CG) |
| 6280 | Nov9 | 2140 | R. Black Bandit - pir. Du/E, songs, mostly c&w. Joke ID today as R. Abu Dhabi. 35443 (CG) |
| 6280 | Nov13 | 2220 | Sound Of Hope R Int'l (cland.), unk. site. Mand to CHN, tks. 25342 (CG) |
| 6295 | Nov10 | 1654 | Reflections Europe - pir. E, rlg. propag. pxs. Uty. QRM. 34443 (CG) |
| 6750 | Nov9 | 1723 | R. JVG - pir. Mx. ID via DX press. 35332 (CG) |
| 6929U | Nov 8 | 2305 | S6-S8, finally a pirate heard after not any since Oct 22; just in time for the FRW deadline: novelty tune, 2306 DJ announcement, hard to understand, drunk? something about a ``continuing problem, RF in there``, apologizes for poor quality. Lots of background noise while talking, but the music was OK. 2312 fades down markedly to S3-S4, music JBA; still at 2329 recheck, music S5-S6. These say it was Argyle Radio; all reports from the north/east, even England, but I doubt this was out of Scotland: https://www.hfunderground.com/board/index.php/topic,60026.0.html (During this semihour one might instead have been listening to the first airing of WORLD OF RADIO 2007 on WRMI 9955; started out heavily jammed, but then it quit and WRMI faded up.) (Glenn Hauser, OK) |
| 7700.1 | Nov10 | 1702 | Free R Sce. - pir. E, pops, p.o.box ann.. // 5799.924. 35443 (CG) |

Contributors to the log:

| | |
|--|--|
| wb, Wolfgang Büschel, df5sx, wwdxc BC-DX TopNews, DXLD, DXPlorer, A-DX Glenn Hauser, Enid, OK, USA (also from WOR&DXLD) Ron Howard, Asilomar State Beach, CA, USA XM - Cedar Key - Florida Dan Sheedy, Encinitas/Moonlight Beach, CA | (CG)/(CGS), Carlos Gonçalves, Lissabon, Portugal) Manuel Méndez, Lugo, Spain (AP-DNK), Anker Petersen, Skovlunde, Denmark Giampiero Bernardini, Milano, Italia Robert Wilkner - Pompano Beach, South Florida |
|--|--|

Station news

KOREA SOUTH. Echo of Hope - VOH, random checking 1126 to 1335, Nov 15. Difficult to keep up with the fast moving changes today.

Summary of some of the items noted: 9105, completely off the air today; 4890, several times noted off-on-off-on again; VOH was jumping back and forth from 6250 (mixing with Echo of Unification) to 6255. Even the N. Korean jamming had anomalies: 1334, the jamming had gone off on 6000 (still QRM from another station), 6255 and 6355 (now very good reception without the jamming), whereas earlier all three frequencies were jammed.

So South Korea is actively trying to out run the jamming with these quick changes and N. Korea jamming is often not far behind. Seems no set frequency schedule any more?

(Ron Howard, Asilomar State Beach, CA, Etón E1, antenna: 100' long wire, WOR iog via DXLD)

Other radio news

SWL QSL Card Museum

SWL QSL Card Museum owned by Bill McDavitt has changed to own server:

<http://www.dallasadmall.com/swlqsl/> ex. <https://www.antique-corner.com/SWLQSL/>.

Note that he does not follow NASWA Country List or EDXC Country List when it comes to placement of countries location in the continents, but he has his own preferences (acc. to own statement) for some countries: Brunei, Indonesia, Malaysia, Okinawa, Philippines, Sabah, Sarawak and Singapore. These he has put under Pacific!

He accepts gladly QSL-copies for his "museum" to e-mail address bnbinns@mail.com.
(Lennart Weirell)

Pedro F. Arrunategui distributes recordings

DXplorers, Many of us know Pedro F. Arrunategui of Peru, who has long been active in Latin American DXing. PFA recently advised that he is beginning to distribute recordings of Latin American DX that were made years ago and that he is now converting to digital format. The first one he has sent is Futuro la Radio, La Calzada, Moyobamba (San Martin), Peru, 10244.2 kHz, March 15, 1986. I hope that he will continue sending these recordings (he hopes to distribute a new one every 15 days or so).

In our new DXplorer Groups.io site < <https://groups.io/g/DXplorer/> > I have started a new section under "Files" called "PEDRO F. ARRUNATEGUI." It has two sub-sections. One is called "Recordings from previous years and distributed in 2019," and in it I have put the Futuro recording. I will add any others that we receive.

The other sub-section is called "Recordings from 2013-2016 and distributed in 'Chasqui DX' of those years." In it I have placed 59 Latin American recordings made by PFA and imbedded in his monthly publication, "Chasqui DX," which we distributed within DXplorer and also posted in the old Yahoo group in those years (it was translated into English by our member Horacio A. Nigro). I was going to post the full Word-produced issues of "Chasqui DX," but because the recordings do not seem to open from within the Word documents when posted to Groups.io, I have extracted the recordings and posted them individually. In a few cases I have posted more than one recording of the same station, but for the most part, when there was more than one recording, I chose the best one. For LA types there are some great memories here (and from not very long ago).
(Jerry Berg via DXplorer)

Nils Schiffhauer DK8OK reviewed the Airspy HF+ Discovery for Radio User

Many thanks to [Radio User Magazine](#) for allowing us to publish this wonderful review by Nils Schiffhauer DK8OK. You were wondering what radio to get next? Trust the experts!

The full PDF is available at: https://airspy.com/downloads/RadioUser_Oct2019.pdf

Enjoy!

(From <https://groups.io/g/airspy>)

Utility radio

List of coastal short-wave radiotelephone stations (LES emission class), and their work schedule.

Name of item / Call Sign / Frequency of transmission Shore, kHz - Ship, kHz / Operating hours / Service area

Kazan / Kama Ustye-1/8055 - 8055 kHz / 24 hours / Rybinsk-Astrakhan

Pyatimorsk Disp. motion / Pyatimorsk / 2620 - 2620 kHz / 24 hours / Kalach-Volgodonsk

Taganrog Radio. / Taganrog Radio / 2182 - 2182 kHz, 2525 - 2620 kHz / 24 hours / Taganrog Bay

Arkhangelsk / Arkhangelsk-7/4130 - 4130 kHz / 24 hours / O. Mudyug-Dv.

(Victor Tsekhanovich, Kerch, Republic of Crimea, Russia)

List of coastal river fleet radio stations providing radiotelephone exchange with vessels on duplex channels (emission class .13 E), and their work schedule.

Note: All indicated radio stations provide connection of ship subscribers with telephone network subscribers.

Name of the item / Callsign / Transmission frequencies (kHz) Shore - Ship / Operating hours, local / District of service

St. Petersburg / Sviritsa-5/ 4420 - 4128 kHz / 0000-2000, 2100-2400 / Lake Ladoga, Baltic Sea

St. Petersburg / Sviritsa-5/ 6522 - 6221 kHz / 1030-1200, 1500-1600 / EGS ECh of the Russian Federation

St. Petersburg / Sviritsa-5/ 8767 - 8243 kHz / 2200-2400, 0800-0900, 1200-1300, 2100-2200 / Baltic, Northern, Mediterranean

St. Petersburg / Sviritsa-5/ 13110 - 12263 kHz / 0900-1030, 1300-1700, 1900-2100, 2200-2400 /

Arkhangelsk / Arkhangelsk-7/ 4130 - 4130 kHz, 3170 - 3170 kHz / Around the clock / Severnaya Dvina River Basin

(Victor Tsekhanovich, Kerch, Republic of Crimea, Russia via RUS-DX #1055)

Radio Liberty

The ether is clean. How Radio Liberty fought against Soviet jammers.

<https://ru.krymr.com/a/radio-svoboda-protiv-sovetskih-glushilok/29628238.html>

(Leo Barmaleo / "open-dx")

State Archive of the Russian Federation.

A document on radio and TV in the Archive. State Archive of the Russian Federation 119992, Moscow, st. Bolshaya Pirogovskaya, 17 <https://libinfo.org/index/index.php?id=1100>

(Leo Barmaleo / "open-dx")

Radio station "Volga"

Radio station "Volga" (German: Radio Wolga) - a radio station for the soldiers of the Soviet Army, stationed in the GDR, and later in Germany. Broadcast mainly in Russian. Radio Volga was created in 1945 for broadcasting on the territory of the Soviet occupation zone, later the territory of the GDR. http://gsvg88.narod.ru/gsvg/smi_gsvg.htm The station went down in history after the final withdrawal of Russian troops from Germany in 1994

https://youtu.be/P7V_tAbcwMk (<https://vk.com/club158109176>)

(RUS-DX # 1054 via Anatoly Klepov)

South East Asia DX-ing

中央氣象局
Central Weather Bureau

SSB Weather Broadcasting

THIS CONFIRMS YOUR RECEPTION OF OUR BROADCASTING
BROADCASTING LOCATION: Taipei/Qigu (R. O. C.)
OUTPUT POWER: 8.117/5.17 MHz at 200W

| RADIO | DATE | GMT | MODE | FREQUENCY |
|-------|------------|------------------|------|-----------|
| | 2012.12.11 | 1730-1745 UTC | SSB | 5.17 MHz |

Signature 鄭明典

Ming Dean Cheng
Director of Weather Forecast Center

氣象預報中心
Weather Forecast Center

Welcome to my corner of the world! Glad you dropped by. Browse around and discover a collection of QSL cards from international broadcasters, old and new. Read an article or two about radios and the hobby of radio listening. Happy DXing!!!

T. L. Breyel <https://shortwavedxer.blogspot.com/>

Zenith Model 7G605 Trans-Oceanic 'Clipper' circa 1942

The Trans-Oceanic (abbreviated T/O) was the name given to a series of portable radios produced from 1942 to 1981 by Zenith Radio. They were characterised by their heavy-duty, high-quality construction and their performance as shortwave receivers.

New "ZENITH" by Zenith—Tiny and exquisite as a jewel, yet a giant in power and volume! Has the biggest speaker Zenith has ever used in a set this size. Lift lid, set's playing—close lid, set's off! Plays on battery, AC or DC. Weighs a mere 5½ lbs. The ultra-smart plastic case in maroon, jet black or white.

Only \$39.95 Less Batteries

The King of the Season Recommends The Royalty of Radio

What were you anxious to give—these smart people who give more than just gifts. When you give Zenith—the Royalty of Radio—you give years of lasting pleasure. Matchless radio masterpieces of unequalled quality and beauty. Treasured lifetime possessions from the world's leader in portables. And remember too—to give a Zenith... portable, table radio or console... to know the supreme pleasure of Christmas giving.

New Zenith "TRANS-OCEANIC"—New edition of the world-famous portable that out-performs any other, any time, anywhere! More powerful, more sensitive, yet lighter, easier to carry. Plays in boats, trains, planes, remote areas. Standard Broadcast, plus international Short Wave on 5 separate bands. "Tropic-Treated" against humidity. Works on thrifty, long-life battery, and on AC or DC.

Only \$99.95 Less Batteries

New Zenith "TIP-TOP HOLIDAY"—Swing the lid up—there's the giant "Tip-Top" Dial, actually above the set for tip-top tuning ease. Wavemagnet inside lid also tips up, doubles the sensitivity of this amazing portable! Open lid, set's on—close lid, set's off! Works on battery, AC or DC. Handsome cabinet in gleaming black or two-tone blue-grey plating.

Only \$39.95 Less Batteries

ZENITH
NEW RECORD RADIO and TELEVISION

* War Coast price slightly higher. Prices subject to change without notice.

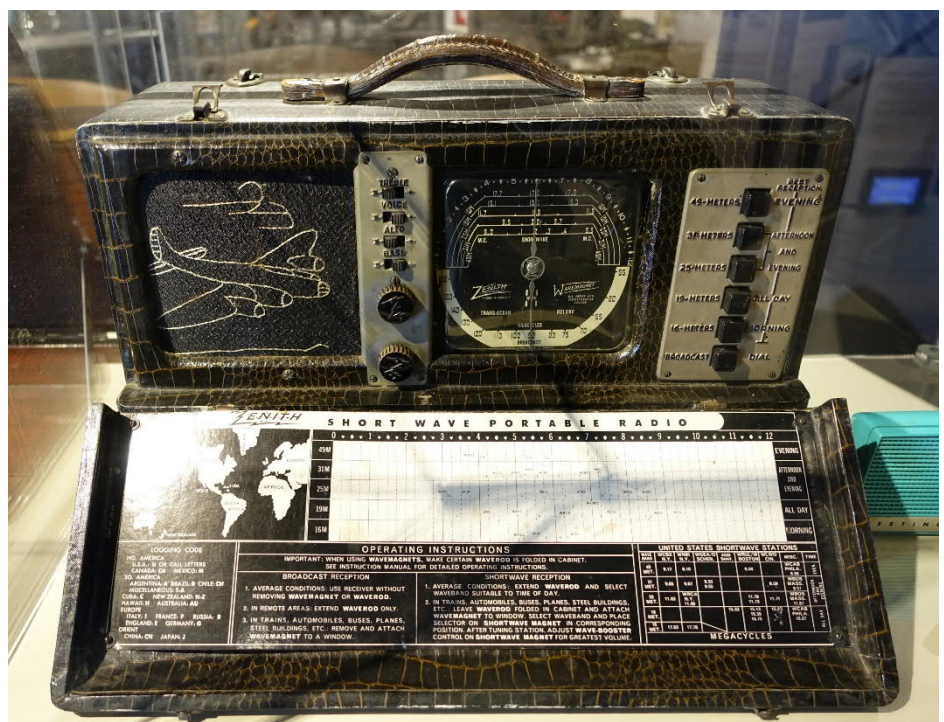
Over 20 Years of "Knew-How" in Radio! Exclusively • ZENITH RADIO CORPORATION, CHICAGO 39, ILL. • Also Makers of America's Finest Hearing Aids

Picture: One of the first portable shortwave radio receivers: Zenith Model 7G605 Trans-Oceanic 'Clipper' circa 1942.

Exhibit in the National Electronics Museum, 1745 West Nursery Road, Linthicum, Maryland, USA. All items in this museum are unclassified. The museum permitted photography without restriction.

These radios were known as "The Royalty Of Radios". This is due to the fact that [Trans-Oceanic](https://hepcatshaven.com/2013/02/05/zenith-trans-oceanic/) radios were considered very advanced for their time and were not cheap because of their quality.

Read more at <https://hepcatshaven.com/2013/02/05/zenith-trans-oceanic/>



Official Last Day Transmission from Fredrikstad SW site QSL

Radio Norway International

1630-1700 UTC Saturday 18 October 1997

Mr/mrs: HERBERT MEIXNER

Your reception report is hereby confirmed as correct.

The Fredrikstad transmitter site was officially opened on 3 January 1948 and closed on 18 October 1997. This last broadcast was performed using the 1976 Thomson 500 kW transmitter operated at 350 kW, radiating on the only remaining antenna, a rotatable logperiodic beaming 245 degrees. This special commemorative broadcast was produced to coincide with the Nordic DX Championship, following an initiative from DX-Listeners' Club.



Main picture: The Fredrikstad station building. Above, right: The logperiodic antenna. Above, centre: Several former station engineers were present at the final closedown. (Photos: Olav Nordli)

Aufgrund des Beitrages <https://www.radioeins.de/programm/sendungen/medienmagazin/radio_news/beitraege/2019/norwegen.html>, erinnerte ich mich an die Stilllegung der Anlagen in Fredrikstad im Jahr 1997. Zu "Radio Norway International" auch die Seiten 4 und 5 auf <http://tinyurl.com/yjroj9ro>

(Herbert Meixner via A-DX)

Looks like the veriesigner is the wellknown Norwegian DX-er Bernt Erfjord. /TN

Bi-directional Two wire Beverage by [OK2ZAW](#)



Bi-Directional TWO-WIRE Beverage - switchable direction

The beverage is a long wire antenna installed very close to the ground. The antenna should be longer than 1 wavelength and installed at a height of less than 0,05 wavelength above ground. The beverage is usually terminated in a resistance at the end (opposite the feedpoint).

Beverage antennas provide one of the least expensive and most reliable ways to improve DX capabilities on the low frequencies.

With careful attention to design and construction, a single beverage antenna can be made to cover two directions with excellent performance over a very wide frequency range.

The transformer at the end of the beverage

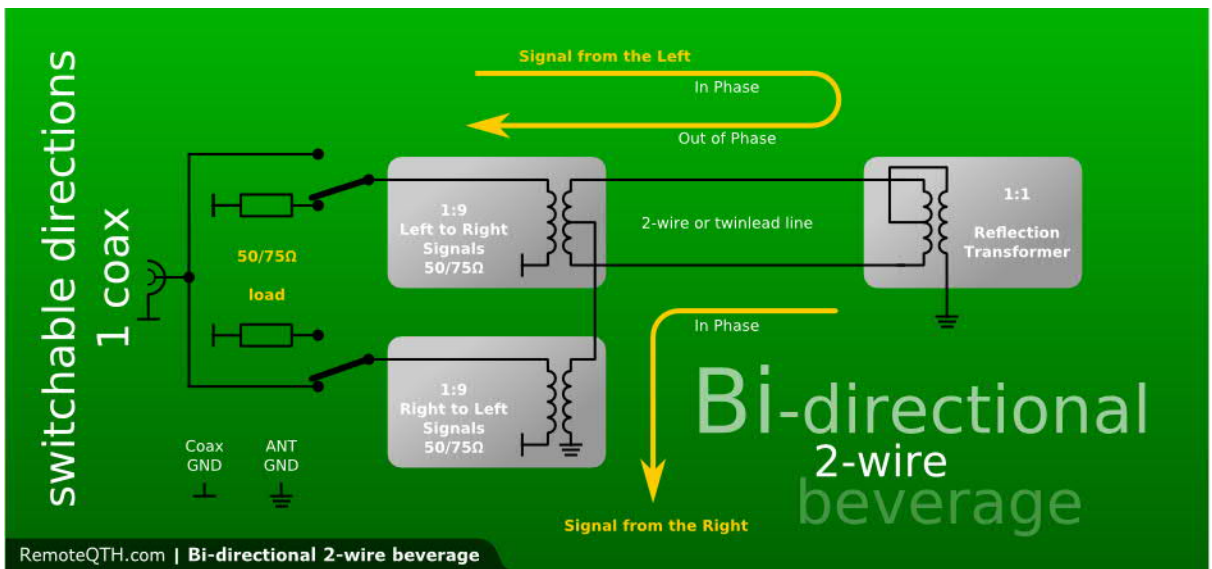
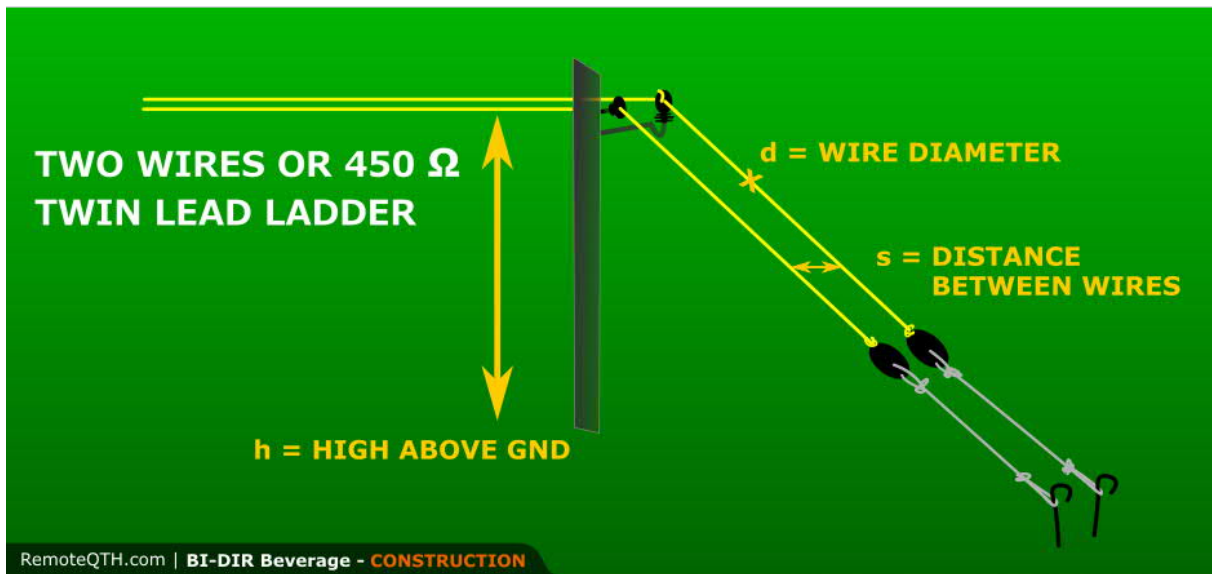
is designed to match impedance of the antenna.

A two-wire bi-directional beverage requires the antenna element to operate a balanced transmission line, as well as a conventional long wire antenna. The parallel wire line used to construct the antenna must be excited under near-perfect balanced transmission line conditions.

This is why each of the parallel transmission line wires must be parallel to the ground. A line should not be constructed in a vertical fashion, using single support poles with one wire under the other. The closer the wire spacing of the line, the lower the impedance of the line, and the less critical installation-related unbalances become. The higher you install the line above ground, the less unbalance any unequal coupling to earth creates.

Source: W8JI, ON4UN

NOTE: TWO coax output beverage antenna works right only, when both ports are loaded with right impedance on the same band. It means that you cannot leave second port open or short! Also if you use first port on 160m and second on 80m than second port have to have load impedance on 160m and first port on 80m.



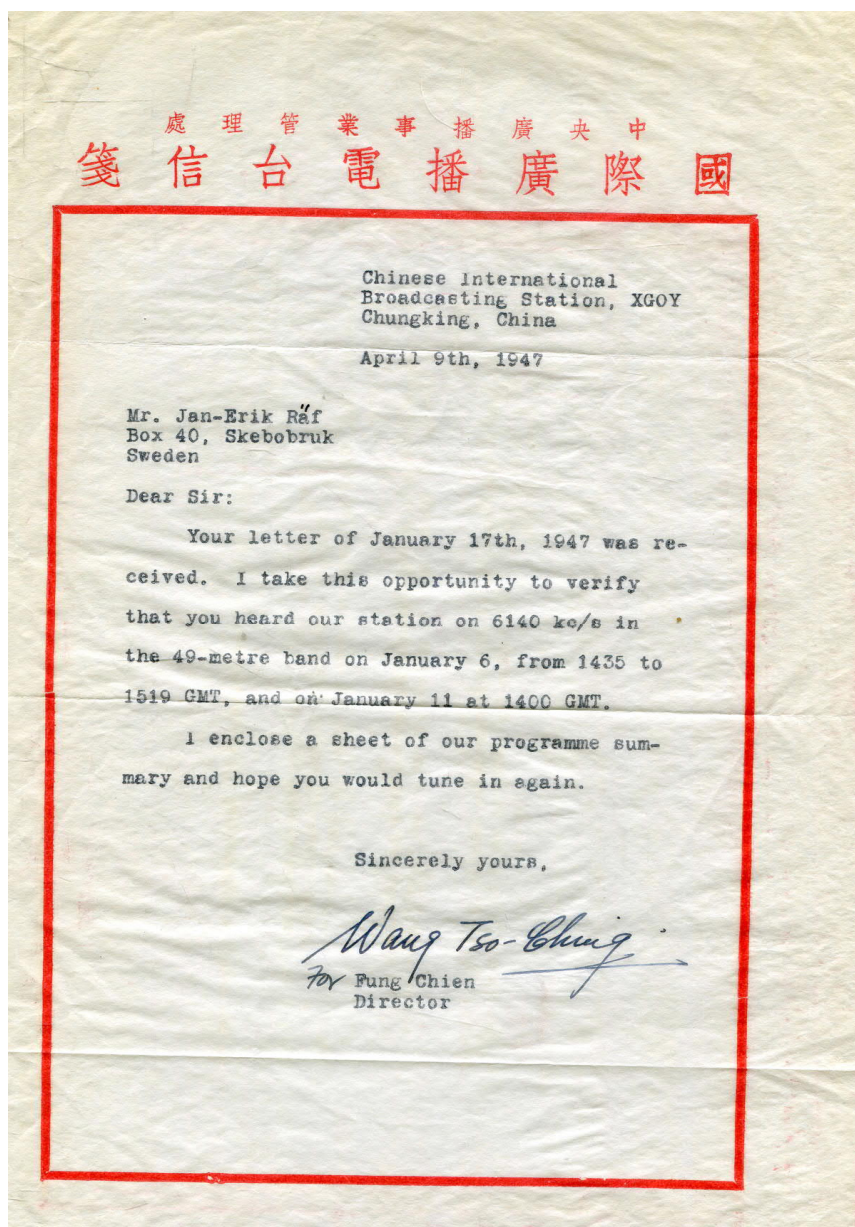
SINGLE WIRE BEVERAGE. Heute wieder ein Beveragebautag, bevor der Schnee die nächsten Tage kommt. Bei gefühlten Minusgraden und Wind mein 250 Meter Array umgebaut, um eine andere Konfiguration der Boxen 1:1 vergleichen zu können.

Beverageboxen wie immer von RemoteQTH.com - absolut perfekte Technik!
(Christoph Ratzer via A-DX)

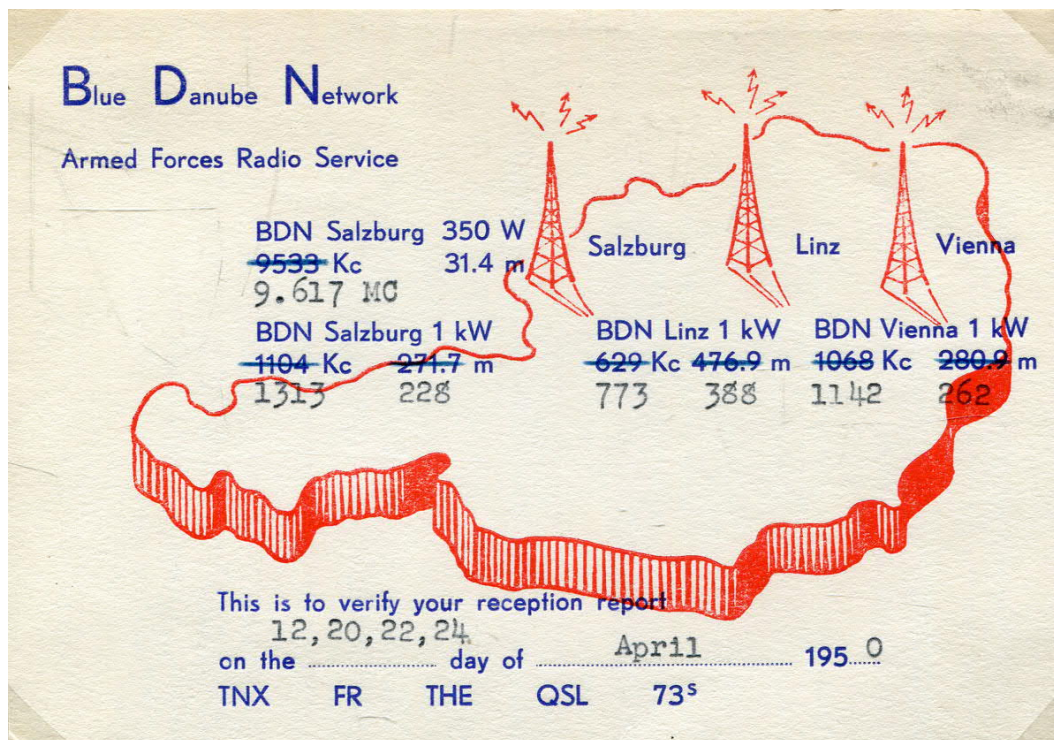


DX nostalgia

Time for another bunch of nice QSLs from way back when. First a letter from the Chinese International Broadcasting Station XGOY in Chungking (or Chongqing), received by our friend Jan-Erik Räf JER in 1947. The station was also known as Radio Free China. Chungking was the provisional capital of General Chiang Kai-shek's nationalist government Koumintang. In December 1949 the nationalists fled Chungking for Formosa (Taiwan) as The People's Republic of China was proclaimed under the leadership of Mao Zedong. A very interesting article about XGOY and how a Californian dentist became the station's link to the outside world can be found at <https://boomcalifornia.com/2014/03/27/radio-free-china/> From the programme schedule enclosed by XGOY we learn they carried a programme called "Bringing Christ to the Nations" – something which was definitely changed when the new regime took over.



Another QSL card from JER. This one is from the Blue Danube Network, confirming reception of their shortwave station at Salzburg in April 1950. The BDN was set up by the US Forces in Austria. If you want to read more about the station check out this very informative site <http://www.bluedanubenetwork.at/index.php?lang=en>



Tore Larsson TL received this letter in 1966, confirming reception of Sistema Radiofónicos' station Radio Popular. Frequencies were 1125 and 6075 kHz.



Radio Comercial de Angola sent this letter to a Mr. Toa Larsson in 1974. Must be TL....



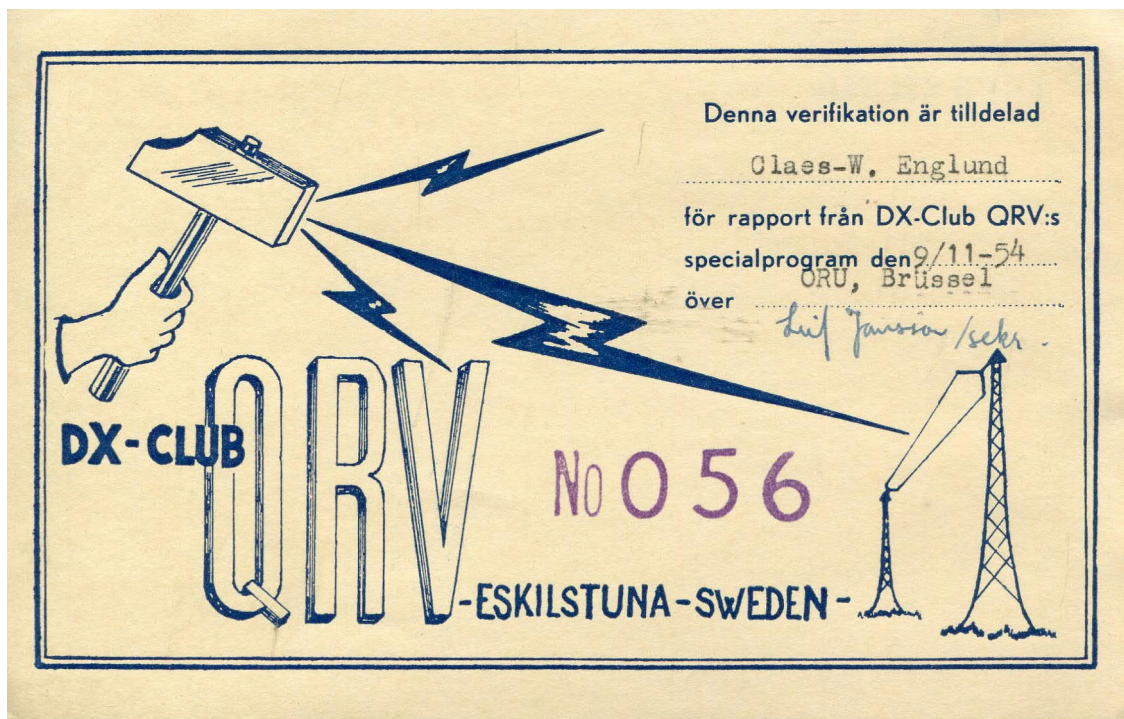
....and here is my own QSL card from the station.



A QSL folder from Emisoras Jesus del Gran Poder – Voz Cristiana del Ecuador received by Lars-Olof Hansson LOH.



The last QSL for today is a special QSL card issued by DX-Club QRV in Eskilstuna and it was received in 1954 by Claës-Wilhelm Englund for a special club programme over ORU Brüssel.



Ronny! Thanks a lot for all scanning and comments regarding those old QSL's. /TN